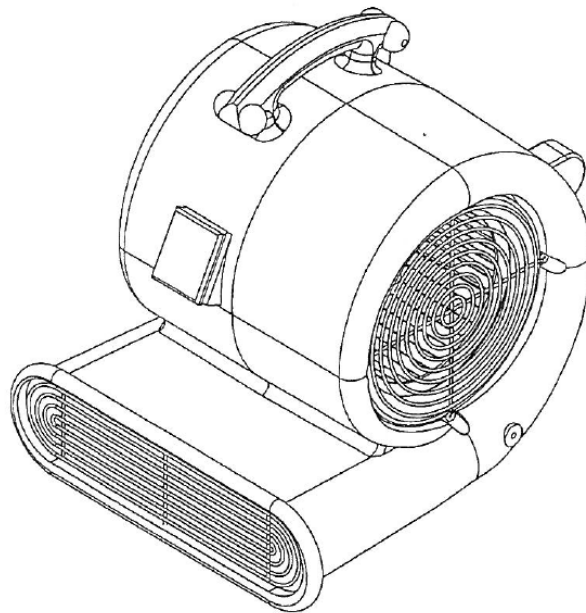




Aqua Dri

AIR MOVER / CARPET DRIER



SAFETY, OPERATION & MAINTENANCE INSTRUCTIONS

MODEL: *AD3004 (UK / EC)*

CAUTION – READ THE INSTRUCTION MANUAL BEFORE USING THE APPLIANCE



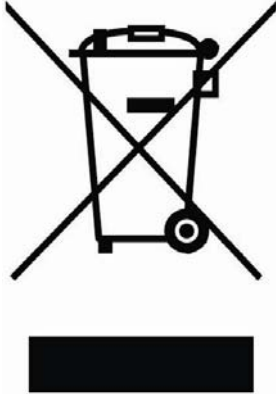
EQUIPMENT DATA

MODEL NO.	AD3004
SERIAL NO.	
DATE OF PURCHASE	
DISTRIBUTOR NAME	
DISTRIBUTOR TEL NO.	
MANUFACTURER CONTACT	Prochem Europe Ltd. Oakcroft Road, Chessington, Surrey KT9 1RH, UK Telephone: + 44 (0)20 8974 1515 Fax: + 44 (0)20 8974 1511 Email: sales@prochem.co.uk Website: www.prochem.co.uk

All information and specifications in this manual are current at the date of issue. However, because of Prochem Europe policy of continual product improvement, we reserve the right to make changes at any time without notice. Please note that this manual applies to all models and explains variations including accessories used. Therefore, you may find some explanations for variations and options not installed on your equipment.

CONTENTS

	PAGE NO.
WARRANTY	5
IMPORTANT SAFETY INSTRUCTIONS	6
IMPORTANT OPERATING INSTRUCTIONS	7
GENERAL OPERATING INSTRUCTIONS	8
GENERAL MAINTENANCE & TROUBLESHOOTING	9
PARTS DIAGRAM	10
PARTS LIST	11
WIRING DIAGRAM	12
CE DECLARATION OF CONFORMITY	13



This product is marked according to the **European Directive (2002/96/EC) on Waste Electrical and Electronic Equipment (WEEE)**.

The symbol on this product indicates that this product must not be disposed of with normal household waste. Please protect human health and the environment by disposing of this product responsibly in the correct manner.

For further information regarding the disposal, treatment, recycling and recovery of this product, please contact:

Prochem Europe Sales Department
Telephone: +44 (0)20 8974 1515

Prochem Europe Ltd. EEE Producer Registration Number: WEE / AJ0044SY

European Directive (2002/95/EC) Restriction of use of certain Hazardous Substances in Electrical and Electronic Equipment (RoHS).

This equipment does not contain more than the maximum permitted levels by weight of the following substances:

Lead (Pb), Mercury (Hg), Cadmium (Cd), Hexavalent Chromium (Cr (VI)), Polybrominated Biphenyls (PBB), Polybrominated Diphenyl Ethers (PBDE)

WARRANTY

DATE EFFECTIVE: 1/1/12

As of the above date, this warranty supersedes all previous warranties and forms part of the contract of sale. Prochem Europe Ltd. (hereafter referred to as "Prochem") guarantees this machine to be free from defects in materials and workmanship for the relevant time period as shown below, and from the actual date of purchase by the user. Proof of the purchase date from a Prochem Authorised Distributor will be required for performance of this warranty.

Rotationally moulded polyethylene tanks2 Years
All other parts except maintenance items (see below)1 Year

THIS WARRANTY EXCLUDES NORMAL MAINTENANCE ITEMS, including but not limited to HOSES, FILTERS, O-RINGS, DIAPHRAGMS, VALVES, DRIVE BELTS, GASKETS, CARBON BRUSHES and damage to motors and other components as a result of failure to replace normal maintenance items. THIS LIST IS NOT EXHAUSTIVE.

To obtain performance of this warranty, contact the Prochem Authorised Distributor who supplied the product.

The Prochem Authorised Distributor is responsible as the selling agent for the provision of initial training in the correct use and application of the machine and approved chemicals. The distributor is also responsible for service maintenance and repairs during and after the warranty period and the administration of any warranty claims in conjunction with the Prochem Service Department. Failure of any of these provisions and responsibilities may invalidate the warranty and the authorised status of the distributor.

If Prochem receives notice of any defects during the warranty period, Prochem reserves the right to either repair, or replace components that prove to be defective. Goods must be returned before the warranty is approved. Goods sent out prior to the return of faulty items will be invoiced at current prices, subject to standard payment terms (see Prochem Standard Terms and Conditions of Sale). Replacement parts supplied under warranty will be guaranteed for the remainder of the original machine warranty and **NOT** from the date of installation. Spare parts supplied after expiry of machine warranty may be covered by a manufacturer's warranty, subject to inspection by Prochem Europe Ltd. and at its sole discretion. Normal maintenance items, however, are not covered. Replacement or credit of any returned parts will be at the discretion of the Prochem Service Department. Any subsequent refusal to accept their decision will serve to invalidate this warranty with immediate effect.

PROCHEM AUTHORISED DISTRIBUTORS are responsible for machine and accessories service back up during and after the warranty period. Prochem will furnish parts if the warranty is approved, but **DISTRIBUTORS** will be responsible for fitting, service, labour and related charges including travel, if applicable, and the cost of returning the machine or parts to Prochem. If any chargeable work is undertaken by Prochem for **DISTRIBUTORS** the labour, parts (if applicable) and return carriage will be charged at **FULL LIST PRICE**. If warranty is approved due to genuine manufacturing defect, then labour charges and return carriage charges may be waived at Prochem's discretion.

Prochem may send replacement parts to customers supplied by a **DISTRIBUTOR** or directly by Prochem, subject to the same conditions of replacement and payment above. The customer, however, will be responsible for fitting, labour and the carriage costs of returning repaired parts. Alternatively, Prochem will undertake warranty work at Chessington, subject to the same conditions, but the customer will be responsible for all carriage charges.

Any of the following circumstances involving the machine will serve to invalidate this warranty:-

NORMAL WEAR, ACCIDENTS, USE OF THE MACHINE FOR A PURPOSE OTHER THAN THAT FOR WHICH IT WAS INTENDED, INCORRECT MAINTENANCE, THE USE OF CHEMICALS OTHER THAN THOSE SUPPLIED OR APPROVED BY PROCHEM, INCORRECT INSUFFICIENT OR NON-USE OF DEFOAMER, EXPOSURE TO EXTREME TEMPERATURES OR CONDITIONS, INCORRECT INSTALLATION OR REPAIR & UNAUTHORISED INTERVENTION.

Liability is excluded for the following:-

All forms of damage and special damage founded in tort (apart from death and personal injury) and contract law including but not limited to consequential loss, loss of income and losses incurred in reliance of the contract; service, labour or third party charges and the cost of returning the machine or defective parts to Prochem or Prochem's Authorised Distributor.

As against a person dealing as a consumer, this warranty creates specific rights in addition to any statutory rights, which are unaffected. As against a person dealing otherwise than as a consumer, however, this warranty excludes any implied term that the machine will correspond with a description or a product sample.

With the exception of some specific products which are labelled and intended to be used by a consumer, all equipment, machinery, accessories, products, services and advice supplied by Prochem is intended for professional and industrial use only.

Your Prochem unit is designed to give you many years of reliable service. If a problem should arise during or after the warranty period, contact the Prochem Authorised Distributor or the Prochem Service Department, for details of the services available. Only the original purchaser of the new equipment may seek performance of this warranty – these rights cannot be transferred to a third party.

Prochem Europe Ltd.

Oakcroft Road, Chessington, Surrey KT9 1RH, ENGLAND

Telephone: + 44 (0)20 8974 1515 Fax: + 44 (0)20 8974 1511

Machine Warranty Issue 8 1/1/12

IMPORTANT SAFETY INSTRUCTIONS

**PLEASE READ THE FOLLOWING IMPORTANT SAFETY INSTRUCTIONS (!!)
BEFORE ATTEMPTING TO USE THIS EQUIPMENT. FAILURE TO OBSERVE
THE INSTRUCTIONS MAY RESULT IN PERSONAL INJURY.**

!! CAUTION

Read the instruction manual before using the appliance.

!! SOUND PRESSURE LEVEL

The sound pressure of this machine, when in use, does not exceed 85 dB (A).

!! APPLIANCE SUITABILITY

This appliance is suitable for commercial use, for example, in hotels, schools, hospitals, factories, shops, offices and rental businesses. Do not use the unit for other than the intended use.

This appliance is not intended for use by persons (including children) with reduced physical, sensory or mental capabilities, or lack of experience or knowledge, unless they have been given supervision or instruction concerning use of the appliance by a person responsible for their safety.

!! CHILDREN should be supervised to ensure they do not play with the appliance.

!! UNPLUG FROM MAINS when not in use or during cleaning and maintenance – the plug is to be removed from the outlet socket.

!! TRAINING

You must be trained in the operation of this unit before use. Please read this manual carefully and obtain operating instruction from your Prochem Distributor or authorised representative in the correct use of this equipment.

!! REPAIRS

Should any repairs, including supply cord replacement be required, we recommend that the appliance be returned to an authorised dealer.

!! ELECTRICAL CABLE INSPECTION & REPLACEMENT

This unit must be earthed while in use to protect the operator from electric shock. It is equipped with a sealed and approved EC three conductor cable and three-prong 13A plug. If the supply cord is damaged it must be replaced by a special cord or assembly available from the manufacturer or its service agent. During operation a hazard may occur when running the machine over the power supply cord. Regularly examine the supply cord for damage, such as cracking or ageing. If damage is found replace the cord before use.

!! RCD CIRCUIT BREAKER

In common with other household and commercial electrical equipment, an 'RCD' circuit breaker plug device is strongly recommended for this type of equipment.

!! EXTENSION CABLES

Avoid using extension cables with this unit. If an extension cable is used it should be of a suitable rating, fully uncoiled and no longer than 30 metres. Use only three wire CE approved extension cable with CE approved three-prong earthed plugs and three pole receptacles that accept the unit's 13 amp plug.

!! DO NOT use a multiple adaptor socket to connect the machine and or other devices to a single extension cable.

!! DO NOT immerse unit, cord or plug in water or other liquid to operate such as during flood extraction. Do not mount the unit over a bucket or sink. **SERIOUS INJURY OR DEATH MAY RESULT IF UNIT IS IMMersed IN WATER!**

!! DO NOT pull the unit by the cable.

!! DO NOT place the unit on or let the power cord contact any heated surface.

!! DO NOT use the unit with or near solvents or any flammable liquid or vapours. The unit can ignite flammable vapours such as fuels, solvents or thinners.

!! DO NOT operate the unit unless it is completely assembled.

!! DO NOT attempt repairs or maintenance unless you are suitably qualified or experienced. Repairs and maintenance should only be performed by qualified personnel and the unit should be tested for electrical safety before re-use.

!! ALWAYS disconnect unit from mains supply when left unattended.

!! DANGER

Improper connection of the equipment electrical plug can result in a risk of fire, electric shock or injury to person. Check with a qualified electrician or service person if you are in doubt as to whether the outlet is properly earthed. Do not modify the plug provided with the air mover. If it will not fit the socket, have a proper outlet installed by a qualified electrician.

IMPORTANT OPERATING INSTRUCTIONS

PLEASE READ THE FOLLOWING IMPORTANT OPERATING INSTRUCTIONS (!) BEFORE ATTEMPTING TO USE THIS UNIT. FAILURE TO OBSERVE THE INSTRUCTIONS MAY RESULT IN DAMAGE TO THE EQUIPMENT.

! DO NOT use the unit outdoors. The unit is designed for indoor use only.

! DO NOT expose the unit to rain or freezing temperatures

! DO NOT operate the unit with a damaged power cord or plug, or after the unit malfunctions, or has been damaged in any manner. Return the unit to your authorised dealer or to Prochem Europe Service Department for examination, repair or adjustment.

! DO NOT attempt to repair the unit while it is under warranty. Contact your authorised dealer or Prochem Europe Service Department.

! USE ONLY genuine replacement parts for this unit, supplied by an authorised Prochem Distributor.

! DO NOT use this unit for any purpose other than for its intended design function. Any deviation from its proper use or purpose and any consequential damage that may occur is the sole responsibility of the user.

! WARNING - This equipment is not designed to handle or use combustible / volatile substances such as gasoline or kerosene, in, on, or near the machine. The use of such materials will cause an extreme hazardous condition.

! DO NOT immerse or use this machine in standing water. Such use may cause electric shock. Disconnect the power cord from outlet before servicing.

! DO NOT leave machine connected to an electrical outlet when unattended.

! DO NOT use with damaged cord or plug. If air mover is not working as it should, has been dropped, damaged, left outdoors, or dropped into water, return it to an authorised service centre.

! DO NOT move or carry the unit when it is turned on.

! DO NOT pull or carry by the cord, use cord as a handle, close a door on the cord, or pull cord around sharp edges or corners. Keep cord away from heated surfaces.

! DO NOT unplug by pulling on cord. To unplug, grasp the plug, not the cord.

! DO NOT handle plug or air mover with wet hands.

! DO NOT put any object into openings. Do not use with any opening blocked; keep free of dust, lint, hair and anything that may reduce air flow. Keep hair, loose clothing, fingers and all parts of the body away from openings and moving parts. Turn off all controls before unplugging. Operate unit on level and stable surface to prevent it from falling and possibly cause injury.

! DO NOT drop or throw the unit. Treatment of this type can cause damage to the components and create a hazardous condition.

GENERAL OPERATING INSTRUCTIONS

BEFORE OPERATING THE UNIT

Read this manual carefully and completely before attempting to operate the unit. This manual has important information for the use and safe operation of the unit and should be kept available at all times. This equipment will ensure years of satisfactory service if operated and maintained according to recommendations in this manual. If additional help or information is needed, please contact your distributor or Prochem Europe Ltd.

FAILURE TO OBSERVE THESE INSTRUCTIONS MAY SERIOUSLY AFFECT THE PERFORMANCE OF THE UNIT AND INVALIDATE THE WARRANTY

OPERATING INSTRUCTIONS

Make sure that the Aqua Dri is plugged into an electrical outlet with the same voltage rating as shown on the nameplate of the unit. Do not attempt to plug a 120 volt unit into a 230 volt outlet.

Turn on the three speed switch to the required setting and check that the unit operates properly before leaving it unattended.

The Aqua Dri unit is designed to blow large volumes of air across the surface of carpet or fabric upholstery in order to speed up the drying process.

Position the Aqua Dri at the corner or edge of the carpet to ensure that air movement is blowing across the largest possible surface area.

For upholstery drying, position the Aqua Dri approximately 2 to 3 ft. from the furniture or stacked cushions. DO NOT position the unit too close to the articles to be dried which may cause air back pressure and excess heating to the unit.

Multiple units are designed to be stacked whilst in operation and for storage. Units should always be used in the upright position on the mounting feet (multiple positions) but units should NOT be operated on their side or top handle surface (upside down).

GENERAL MAINTENANCE

All Prochem equipment is engineered and built to require a minimum of maintenance. But like any equipment, it does require some care to keep it in optimum working condition. Careful attention to these maintenance instructions will give you maximum operating performance and will increase the life expectancy of the machine. To ensure a trouble-free machine, we strongly advise the following preventative maintenance.

DAILY MAINTENANCE

The following should be carried out at the end of each cleaning session.

POWER CABLE & PLUG

Check the condition of the power cable and plug. Make sure all wires are correctly located and tightly connected. If damaged, the power cable and plug assembly must be replaced.


DO NOT ATTEMPT REPAIR.

Instruction for replacement of power cable with combined plug.

!! CAUTION - ONLY QUALIFIED MAINTENANCE PERSONNEL SHOULD ATTEMPT THE FOLLOWING REPAIR

Should the power cable require replacement, please follow the instructions below.

1. The replacement cable and plug shall be of the same specification as the original Prochem part number BE4901 (3 core 1.5mm with 13Amp sealed plug unit)
2. Ensure that the unit is disconnected from electrical supply and open electrical housing by means of tool required.
3. Disconnect the live (brown), neutral (blue) and earth (green/yellow) wires from the cable terminal block by means of unscrewing the terminal block wire clamp screws.
4. Unscrew the outer cable gland and cord anchor screw to release the cable which can then be pulled out of the cable gland assembly.
5. Insert the new cable through the cord anchor and cable gland and secure the outer cable by means of tightening the outer cable gland and the anchor securing screw.

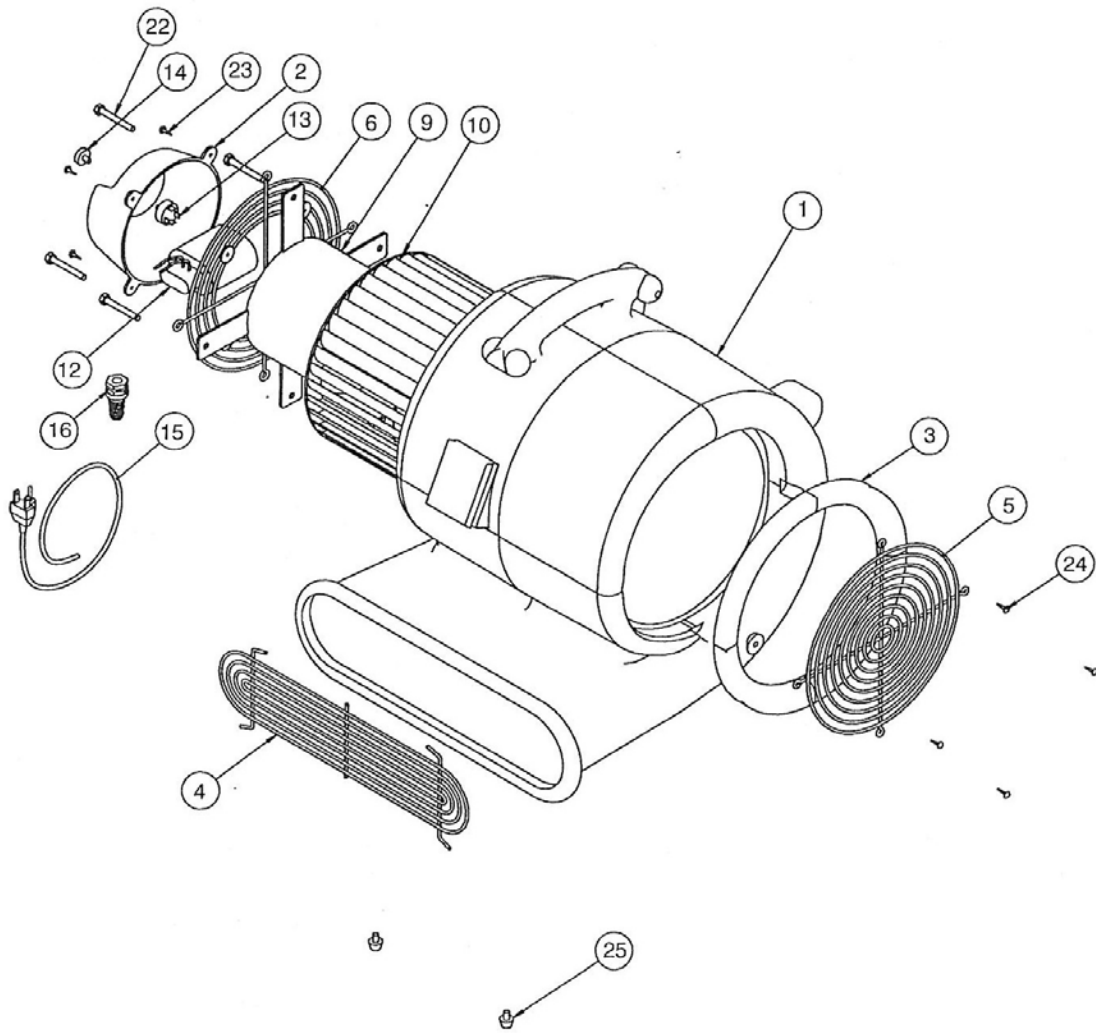
6. Connect the live (brown), neutral (blue) and earth (green/yellow) wires to the cable entry gland terminal block by means of inserting the wire conductors into the terminal block as follows :-
The conductor of the wire coloured brown shall be connected to the terminal marked (L), the conductor of the wire coloured blue shall be connected to the terminal marked (N) and the conductor of the wire coloured green and yellow shall be connected to the terminal marked with the Earth symbol thus - 
7. Ensure that all connections are secure and close electrical housing and secure with tool required.

BODY AND FITTINGS

1. Inspect the outer body of the unit for signs of damage.
2. Check tightness of all screws and security of fittings.
3. Clean the screens on the side and front of the unit.
4. Listen for abnormal sounds.
5. Keep the unit clean.

TROUBLESHOOTING	
<i>Problem</i>	<i>Possible Cause</i>
Does not turn on	Switch is defective Wall circuit breaker is tripped Defective power cord Capacitor is defective
Does not operate at all speeds	Switch is defective Capacitor is defective
Blower wheel rubs	Wheel is out of round
Unit makes abnormal sounds	Defective motor Foreign object stuck

PARTS DIAGRAM AD3004

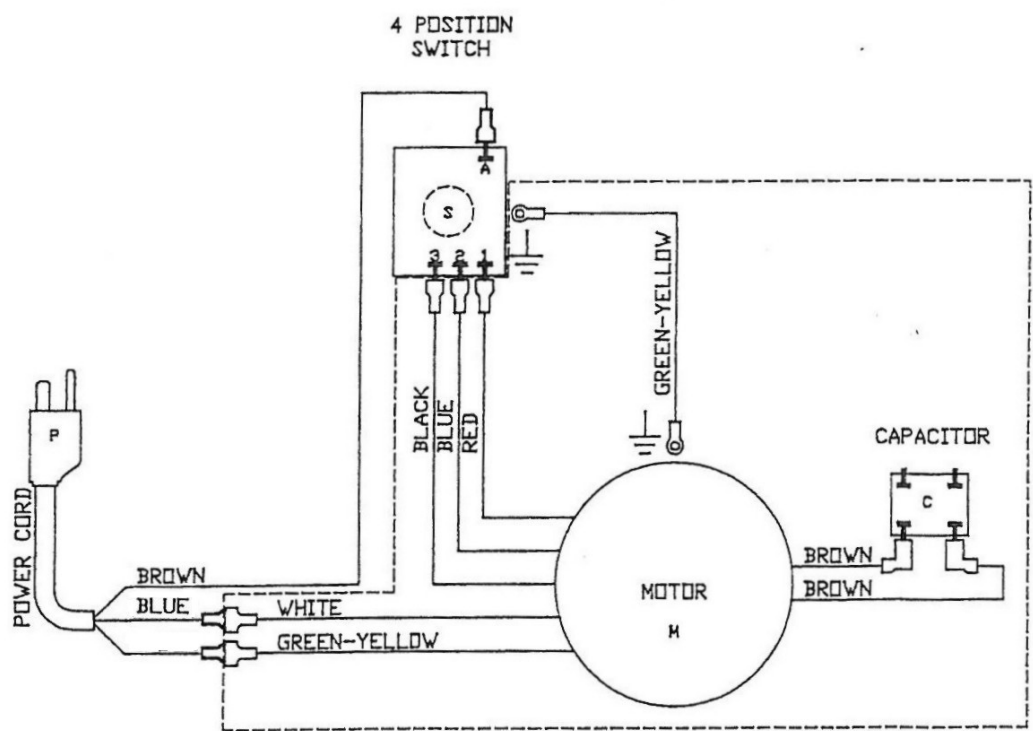


PARTS LIST AD3004

REF.	STOCK CODE	PART NO.	DESCRIPTION	QTY
1		F11822	ROTO HOUSING	1
2		F11842	HOUSING, SWITCH	1
3		F11856	PLASTIC CENTER RING	1
4		D11773	FRONT GRILL	1
5			FAN GRILL	1
6		D11775	MOTOR GRILL	1
9		G11823	MOTOR 220-240V	1
10		G11826	9" FAN WHEEL	1
12		G11915	CAPACITOR (ATTACHED TO MOTOR)	1
13		B11825	ROTARY SWITCH	1
14		G00515-3	KNOB, SPEED CONTROL SWITCH	1
15	BE4901	B11769	POWER CORD 220-240V CE	1
16	E02213	B11821	STRAIN RELIEF	1
18	JE00233	C00293	¼" WASHER	4
21	E02322	C02322	HEX BOLT, ¼ -20 x1 ¾	1
22	JE00314	C00314	HEX BOLT, ¼ X 5/8	4
23		C02286	8 X 32 X 5/8 PAN PHILLIPS BLACK	4
24		C02293	8 x ½ PAN PHILLIPS BLACK	4
25		E11841	GROMMET	2

WIRING DIAGRAM

MODEL AD3004 AQUA DRI
220 - 240V AC 50Hz



DECLARATION OF CONFORMITY

We:
Prochem Europe Ltd.,
Oakcroft Road,
Chessington,
Surrey, KT9 1RH
UK
(Importer / EC Responsible Person)

E.D.I.C
1753, Blake Avenue,
Los Angeles,
California, 90031-1006
USA
(Manufacturer)

Declare that the product(s):

Type(s): **AQUA DRI**
Model(s): **AD3004**
Description: **AIR FAN BLOWER 220 - 240V 50 Hz**

Have been manufactured in conformity with the following standards and specifications:

BS EN 60335-1:2002 + A2:2006
BS EN 60335-2-80:2003
BS EN 55014-1 :2006

And comply with the requirements of (as amended):

2006/95/EC **Low Voltage (LVD) Directive**
2004/108/EC **Electromagnetic Compatibility (EMC) Directive**

A Technical file is held by Prochem Europe Ltd.

Safety inspection and compliance test reports have been issued by:

Blackwood Compliance Laboratories
United Kingdom

Signed
(For and on behalf of the Importer / EC Responsible Person)



Name: J Hattersley
Position: Equipment Product Manager
Place of Issue: Chessington UK
Date of Issue: 1/9/2009