

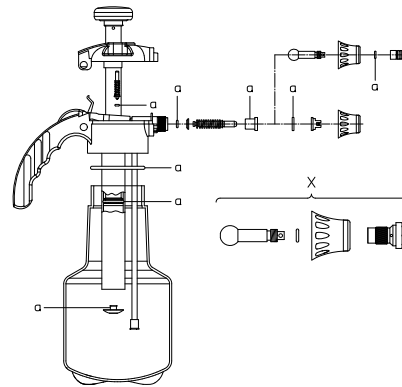
Item No EAN-Code
7611034...



Spray-Matic 1.25 P



Spray-Matic 1.25 N



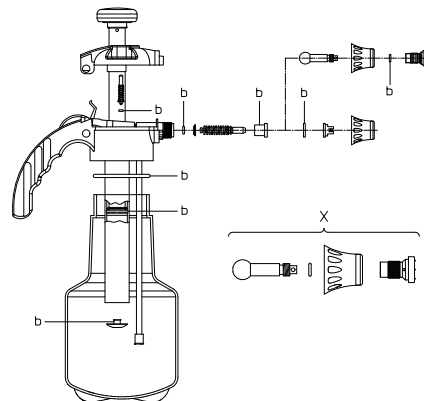
| | | | |
|--|--|-------------|--------|
| Spray-Matic 1.25 P - TU 5 pcs (pump head made of PP) | | 11613501 | 130118 |
| TU selling price 5 pcs | | | |
| Accessories 1.25 P + 1.25 N | | | |
| | Extension tube 26 cm bendable, hard | 11647701 | 030135 |
| | Extension tube 40 cm bendable, soft | 11647702 | 030142 |
| | Extension tube 80 cm bendable, soft | 11647703 | 010523 |
| No | Spare parts | | |
| a | Repair and gasket kit Spray-Matic 1.25 P/N (Viton) | 11614802-SB | 700427 |
| x | Adjustable nozzle brass complet. | 11614805 | 110097 |
| | Cap screw nut G3/8" PA (for Spray-Matic 1.25P) (black) | 11869501 | |
| Spray-Matic 1.25 N - 5 pcs per box (pump head made of PA) | | 11815802 | 130569 |
| TU selling price 5 pcs | | | |
| No | Spare parts | | |
| a | Sealing set Spray-Matic 1.25 P/N (Viton) | 11614802-SB | 700427 |
| | Fanjet nozzle TP 8002, brass (for Spray-Matic 1.25N) | 11588702 | |
| | Special cap screw nut G3/8" PA (for Spray-Matic 1.25N) for fanjet nozzle (black) | 11869601 | |



Clean-Matic 1.25 P / E



Clean-Matic 1.25 P / E Foam



| | | | |
|---|---|-------------|--------|
| Clean-Matic 1.25 P white, Fanjet nozzle (Viton) | | 11664701 | 130200 |
| Clean-Matic 1.25 E white, Fanjet nozzle (EPDM) | | 11815301 | 013947 |
| Clean-Matic 1.25 P white, Foam nozzle 1.25 (Viton) | | 11699501 | 130231 |
| Clean-Matic 1.25 E white, Foam nozzle 1.25 (EPDM) | | 11815311 | 013954 |
| additional tank colours on request | | | |
| Accessories | | | |
| | Fanjet nozzle XR 8002 VS (for Clean-Matic 1.25 P) | 50142022 | |
| | Fanjet nozzle TPU 11002 PP (for Clean-Matic 1.25 E) | 11557002 | |
| No | Spare parts | | |
| b | Seal set for Clean-Matic 1.25 P (Viton) | 11614802-SB | 700427 |
| b | Seal set for Clean-Matic 1.25 E (Viton) | 11614804 | |
| x | Foam nozzle 1.25 cpl. Stainless steel / PP | 11865801 | 040547 |
| | Special cap screw G3/8" PP (for Clean-Matic 1.25P/E) for fanjet nozzle (grey) | 11869701 | |
| | Foam strainer complet for foam nozzle | 77009799 | |
| | Cap screw G3/8" PP (for Clean-Matic 1.25P/E) foam nozzle (grey) | 11869801 | 040554 |